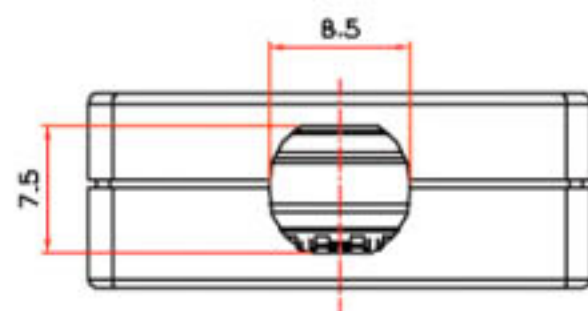
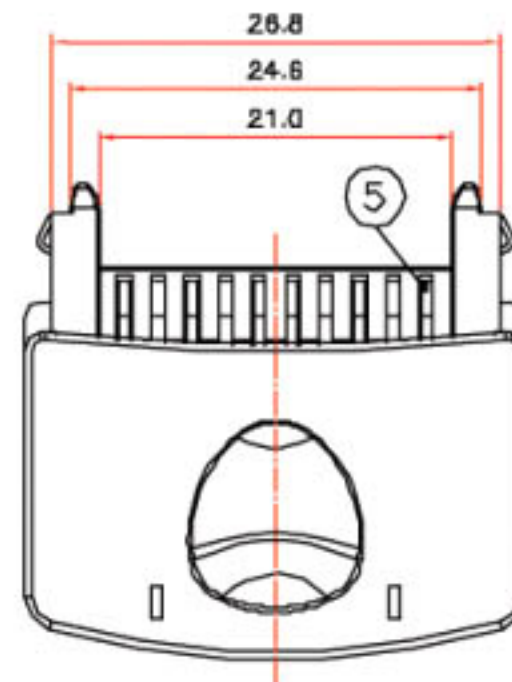
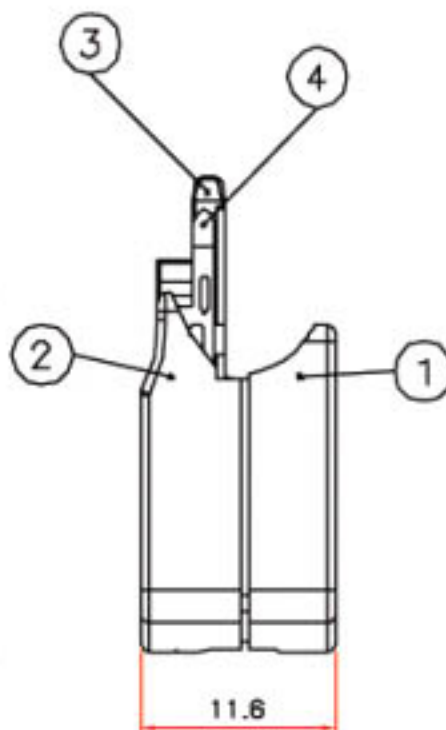
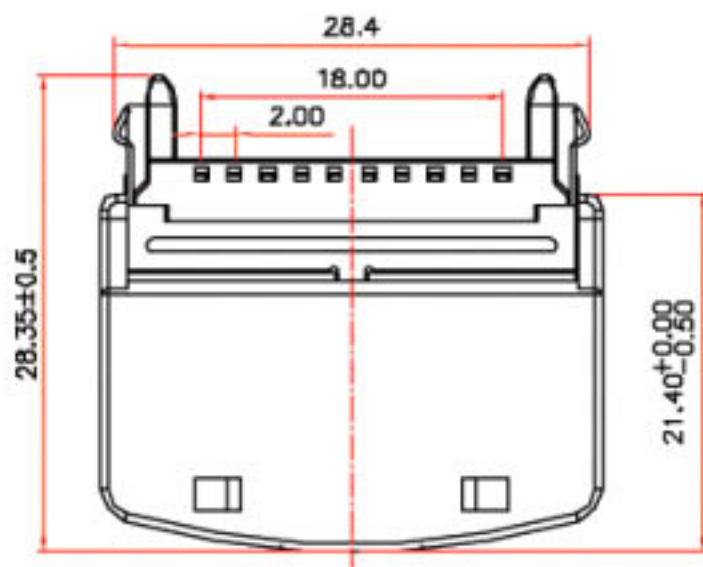


ITEM 項目	PARTS NAME 零件名稱	PART NO. 零件編號	QTY 數量	MATERIAL 材質	FINISH/REMARK 處理/備註
1	TOP COVER	M21-546-1001	1	A.B.S	(Black)
2	BOTTOM COVER	M21-546-2001	1	A.B.S	(Black)
3	HOUSING	M21-548-0001	1	P.B.T+C.F	UL-94V-0 (Black)
4	LATCH	M22-548-1001	1	STAINLESS	Non-plating
5	CONTACT	M22-548-0101	10	Phosphor Bronze	Gold flash selective



SPECIFICATION

MATERIAL

See drawing
STANDARD DATA

Rating current: 1.0A

Operating temperature: -30°C ~ +60°C

Storage temperature: -40°C ~ +85°C

ELECTRICAL

Insulator resistance: 100DM ohms Min. @ 500 VDC

Withstanding voltage: 100 VAC / minute

Contact resistance: 50 m ohms Max.

MECHANICAL

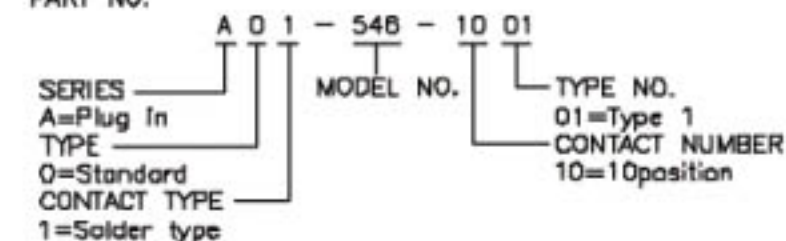
Mating force: 3DN(3.08kgf) Max.

Unmating force: 4.2N(0.43kgf) Min.

Durability: 10,000 cycles Min.

Contact retention force: 4.2N(0.43kgf) Min

PART NO.



CYPRESS INDUSTRIES
www.cypressindustries.com

UNLESS OTHERWISE SPECIFIED TOLERANCE 尺寸公差		CHECKED 審核	DESIGNED 設計	TITLE 產品名稱	PART NO. 產品料號	REV. 版本
X. ±0.50	GRACE	TONY	PLUG IN for Palm Vx Solder type-10 position			
.X ±0.30	10/04/00	10/04/00				
.XX ±0.20	APPROVED 承認	DRAWN 製圖		SCALE 比例	DOC. NO. 文件編號	
ANG. ±5'00"	BEN LEE	TONY		10/4	A01-546-1001	A
REV. 版本	ECN NO. 改變號碼	MARK 記號	REVISIONS 改變內容	SIGN 修改	DATE 日期	