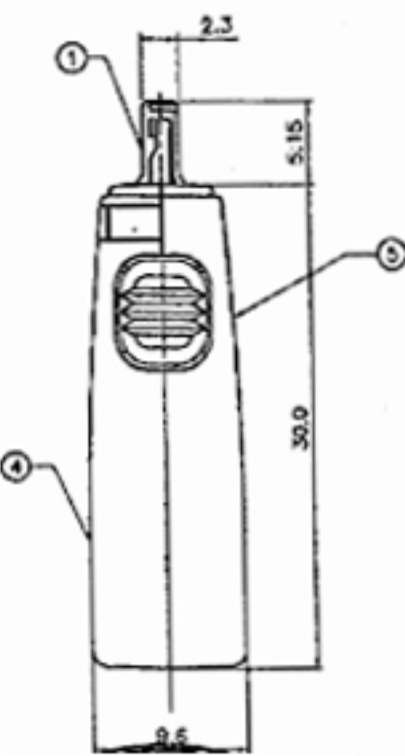


ITEM 項目	PARTS NAME 零件名稱	QTY 數量	MATERIAL 材料	FINISH/REMARK 處理/備註
1	Housing	1	NYLON	UL-24V-0 (Black)
2	CONTACT	26	Phosphor Bronze	Gold flash selective
3	LATCH	2	STAINLESS	Non-plating
4	TOP COVER	1	A.B.S	UL-24V-0 (Black)
5	BOTTOM COVER	1	A.B.S	UL-24V-0 (Black)
6	BUTTON	2	A.B.S	UL-24V-0 (Black)
7	SHELL	1	STAINLESS	Non-plating



SPECIFICATION
MATERIAL
 See drawing
STANDARD DATA
 Rating current: 1.0A
 Applicable wire: AWG#26 Max.
 Operating temperature: -30°C ~ +50°C
 Storage temperature: -40°C ~ +85°C
ELECTRICAL
 Insulator resistance: 1000M ohms Min. @ 250 VDC
 Withstanding voltage: 100 VAC / minute
 Contact resistance: 50 m ohms Max.
MECHANICAL
 Mating force: 30N(3.06kgf) Max.
 Unmating force (without lock): 4.2N(0.43kgf) Min.
 Durability: 10000 cycles Min.
 Contact retention force: 4.2N(0.43kgf) Min
PART NO.

SERIES A 1 1 - 582 - 26 01
 A=Plug in
 TYPE 1=0.5mm pitch
 CONTACT TYPE 1=Solder type
 MODEL NO. TYPE NO. 01=Type 1
 CONTACT NUMBER 26=26position

CYPRESS INDUSTRIES

PLUG IN for TOSHIBA
 Solder type-26 position

UNIT: MM
 SCALE: 3/1
 SIZE: A4

DATE: 06/02/02
 DRAWN BY: JERRY
 CHECKED BY: JERRY

PART NO. A11-582-2601
 DOC. NO. CUT-582-001

REV. 01
 DATE

REV.	ED. NO.	MOD.	BY/CHK.	DATE	REVISION
A	EXXX-XXX	X 0			