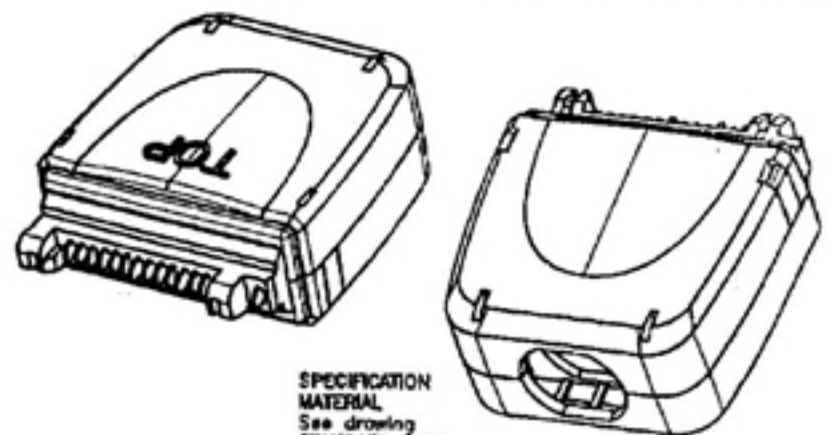
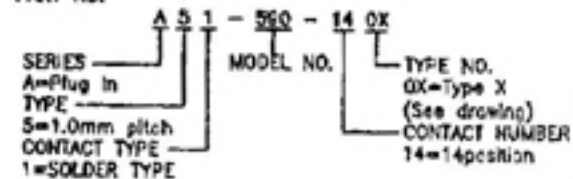


ITEM NO.	PARTS NAME	QTY	MATERIAL	FINISH/TREATMENT
1	TOP COVER(for A51-590-1401)	1	ABS	(Black)
	TOP COVER(for A51-590-1402)	1	ABS	(GRAY)
	TOP COVER(for A51-590-1403)	1	ABS 777-D	(Black)
2	BOTTOM COVER(for A51-590-1401)	1	ABS	(Black)
	BOTTOM COVER(for A51-590-1402)	1	ABS	(GRAY)
	BOTTOM COVER(for A51-590-1403)	1	ABS ABS 777-D	(Black)
3	HOUSING	1	P.B.1+2.F	UL-94V-0 (Black)
4	Latch	2	STAINLESS	Stainless
5	CONTACT	14	Phosphor Bronze	Gold finish selective



SPECIFICATION
MATERIAL
 See drawing
STANDARD DATA
 Rating current: 1.0A
 Applicable wire: AWG#26 Max.
 Operating temperature: -30°C ~ +80°C
 Storage temperature: -40°C ~ +85°C
ELECTRICAL
 Insulator resistance: 1000 m ohms Min. @ 250 VDC
 Withstanding voltage: 100 VAC / minute
 Contact resistance: 130 m ohms Max.
MECHANICAL
 Mating force: 30N(3.06kgf) Max.(With lock)
 Durability: 10000 cycles Min.
 Contact retention force: 4.2N(0.43kgf) Min
PART NO.



REV. NO.	ECN NO.	MARK	REVISIONS	DATE	DESIGNED	CHECKED	DATE
C	E0303-007	△ X 3		04/20/03	JIMMY		
B	E0303-018	△ X 1	新增上下蓋材質(A.B.S 777-D)	03/28/03	JIMMY		
A	E0303-016	△ X 0					

CYPRESS INDUSTRIES

WILEY & SONS
PLUG IN for NIKIA 7210
 Solder type-14 position

UNIT: MM
 SCALE: 1:1
 PART NO.: A51-590-1401/2/3
 DOC. NO.: CUT-590-009

REV. NO. C