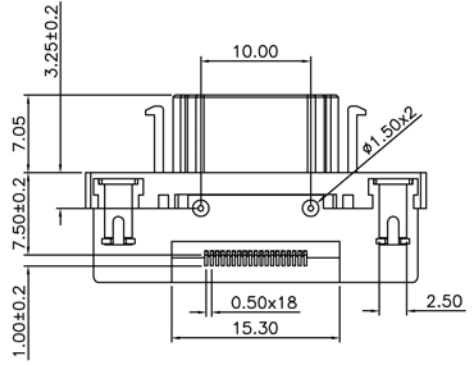
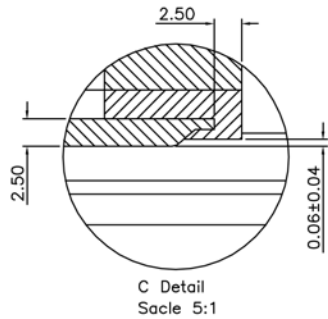
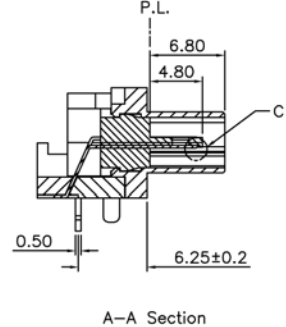
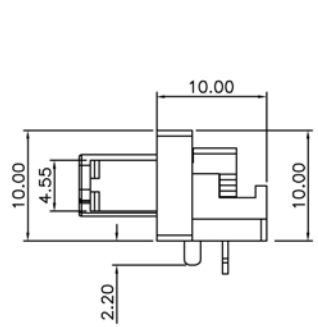
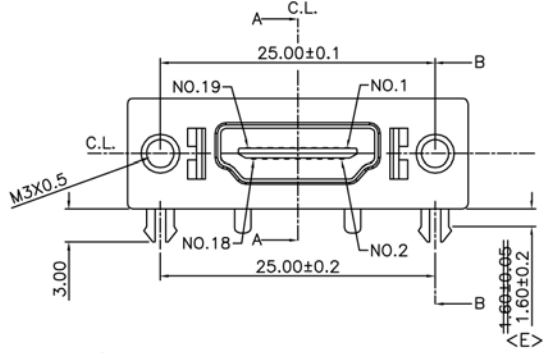
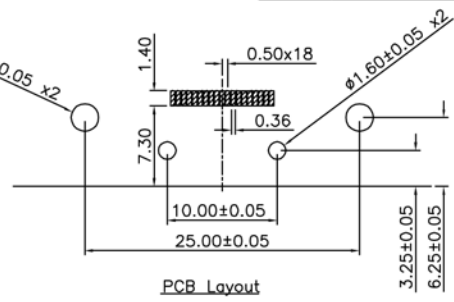
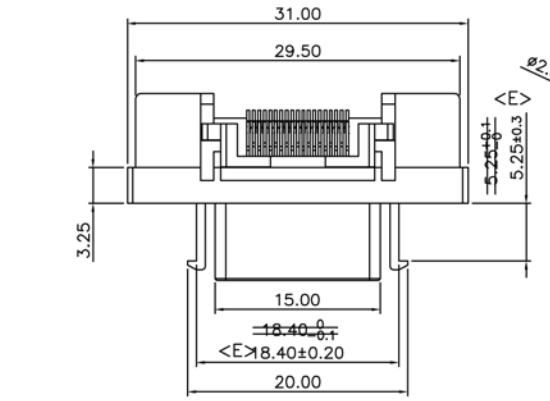


6 5 4 3 2 1

NOTES:
 1. Material:
 Housing—LCP,94V-0,Color:Black.
 Metal Shell—Zn Alloy.
 Terminal—Copper Alloy.
 2.Surface:
 Housing—Polish(SPI-A3)
 Metal Shell—Ni 120u".
 Terminal—Au 30u".

REV.	DESCRIPTION	DATE
D	Modify Dimension(ECO-05108)	02/04/05'
E	Modify Tolerance(ECO-06047)	01/20/06'



CYPRESS INDUSTRIES www.cypressindustries.com		DESCRIPTION: HDMI Latch Type Socket			
DATE	01/20/06'	PART NO	CCHDMI-0007-A01A	REV	E
DWN	Janice	FILE NO	133-0007-A01AE	UNIT	mm
CHK	Allen		SCALE: 2/1	SHEET	1/1
APP	C.M. Chang	TOLERANCES	0.X: ±0.50 0.XX: ±0.25 ∠: ±2'		