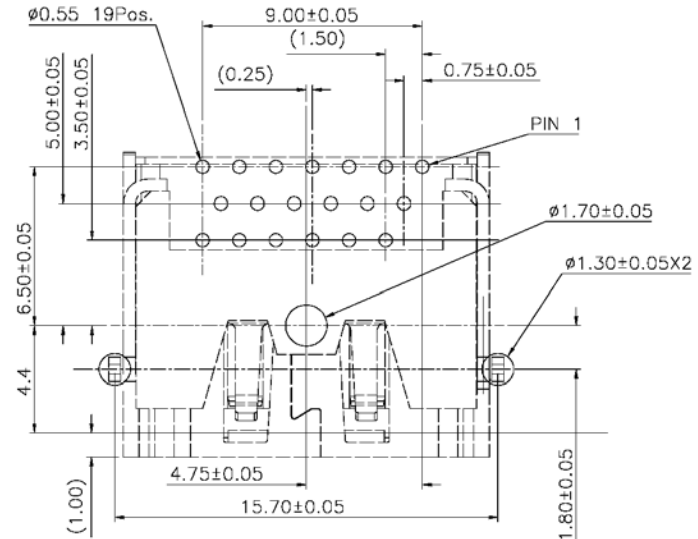
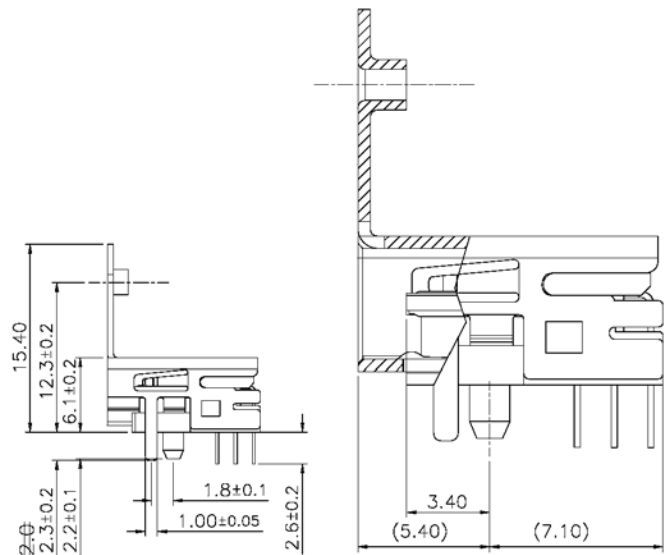
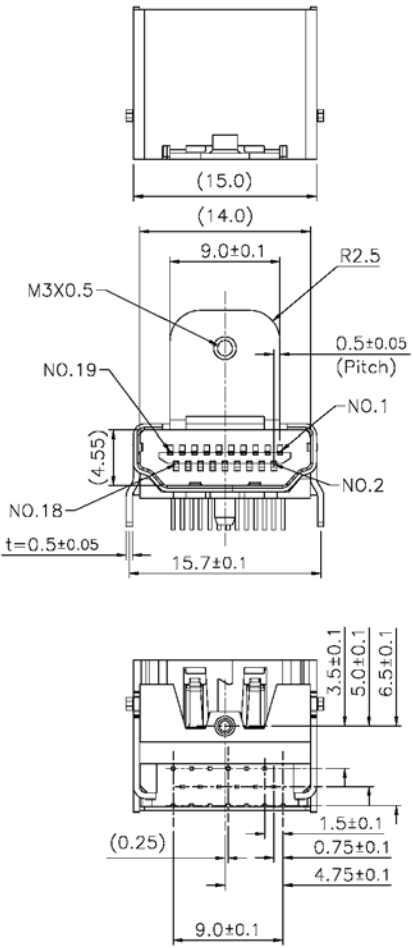
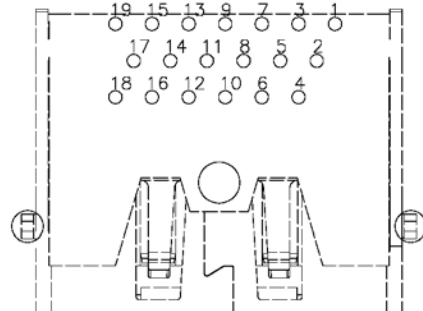


REV	Description	Date
A	New Release	11/03/04'
B	Dim Reviced(ECO-04699)	12/13/04'



PCB LAYOUT



PIN ASSIGNMENT

- NOTE :
- 1.1 SHIELD: Copper Alloy t=0.50mm  
Plating: Ni 100 u"
  - 1.2 TERMINAL: Copper Alloy  
Plating: Contact Aera With Au 30u"  
: Solider Aera With Sn 100u"
  - 1.3 HOUSING: LCP UL 94V-0

CYPRESS INDUSTRIES www.cypressindustries.com		HDMI Dip Socket with Flange, 19 Pin RoHS			
DATE	11-03-04'	PART NO	CCHDMI-0024-A41A	REV	B
DWN	Roger	FILE NO	133-0024-A41AB	UNIT	mm
CHK	Yale	⊕ ⊞	SCALE:	SHEET	1/1
APP	Allen	TOLERANCES	0.X: ±0.50 0.XX: ±0.25	∠: ±1°	