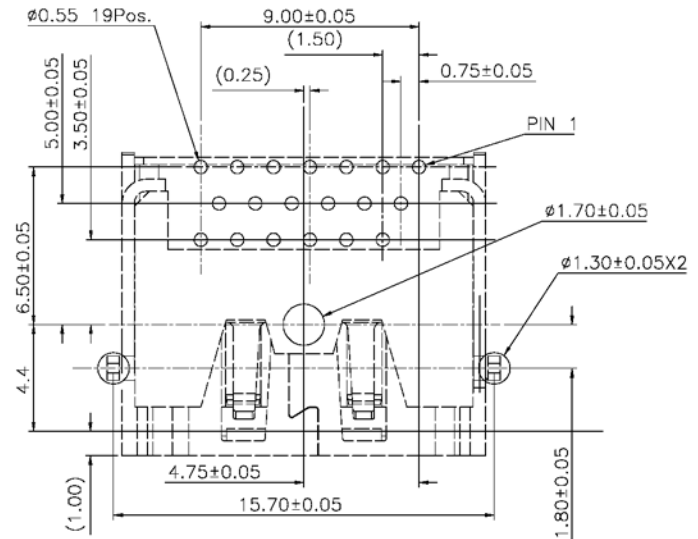
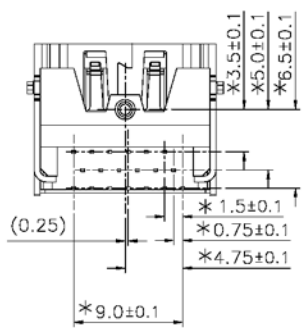
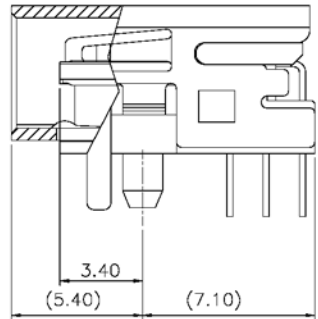
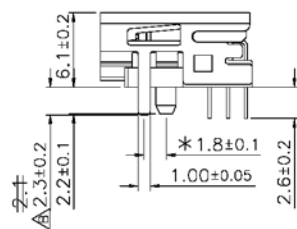
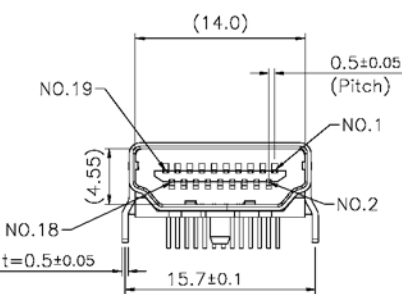
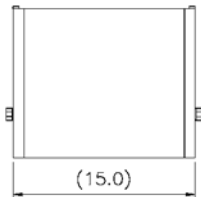
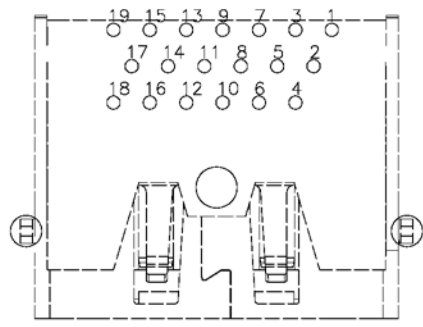


REV	Description	Date
A	New Release	11/03/04'
B	Dim Reviced(ECO-04699)	12/13/04'



PCB LAYOUT



PIN ASSIGNMENT

NOTE:

- 1.1 SHIELD: Copper Alloy t=0.50mm
Plating: Ni 100 u"
- 1.2 TERMINAL: Copper Alloy
Plating: Contact Area With Au 30u"
: Solider Area With Sn 100u"
- 1.3 HOUSING: Thermal Plastic UL 94V-0

CYPRESS INDUSTRIES www.cypressindustries.com			HDMI Dip Socket Standard, RoHS		
DATE	11-03-04	PART NO	CCHDMI-0025-A41A	REV	B
DWN	Roger	FILE NO	133-0025-A41AB	UNIT	mm
CHK	Yale	SCALE:		SHEET	1/1
APP	Allen	TOLERANCES	0.X: ±0.30 0.XX: ±0.15	∠:	±1°