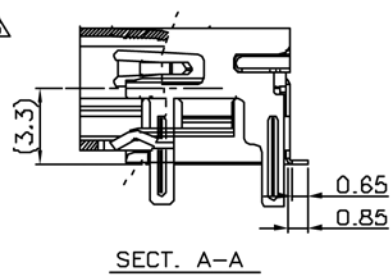
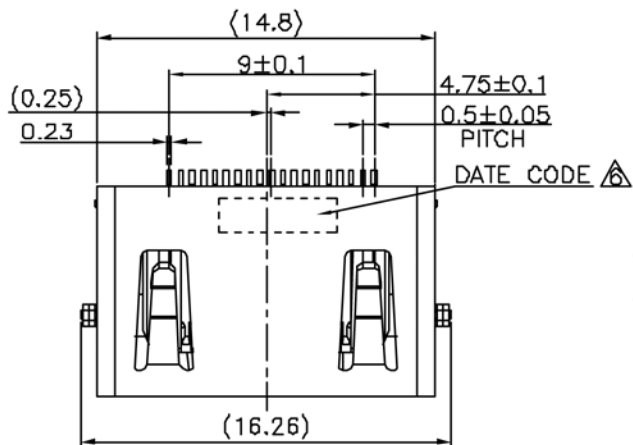
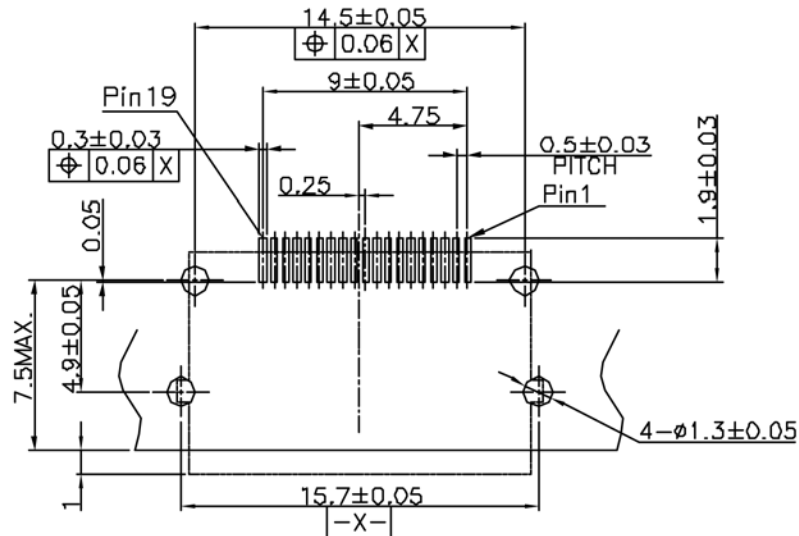
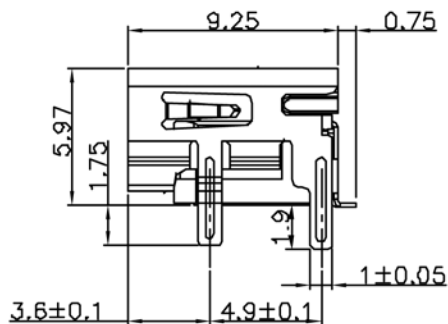
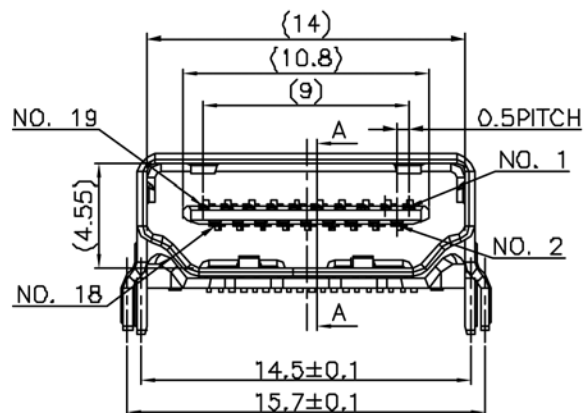


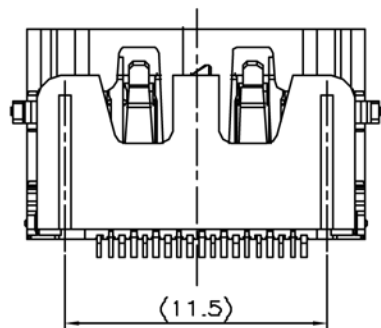
REV.	ECN NO.	LOCATIONS	DESCRIPTION	DATE	DESIGN
A			INITIAL RELEASE	08/07'06	鄭紅光



NOTE:
 1. MATERIAL:
 1.1 HOUSING: THERMOPLASTIC, HIGH TEMP, UL94V-0 COLOR: BLACK
 1.2 CONTACT: COPPER ALLOY.
 1.3 SHELL: COPPER ALLOY.
 2. FINISH
 2.1 CONTACT: GOLD PLATING AT CONTACT AREA
 MATTE TIN PLATING AT SOLDER AREA.
 NICKEL UNDERPLATED ALL OVER.
 2.2 SHELL: SOLDER NICKEL PLATED ON ALL OVER
 3. APPLIED TO IR SOLDERING PROCESS
 4. REFLOW SOLDER CAPABLE TO 260°C MAX. 10sec.
 5. MEET TO ROHS.
 Ⓟ DATE CODE.



APPLICABLE P.C.B. DIMENSION(REF)



DIM	TOL	DIM	DEG	CYPRESS INDUSTRIES	
X	±0.35	X'	±5'	www.cypressindustries.com	
X.X	±0.25	X.X'	±3'		
X.XX	±0.20	X.XX'	±2'		
X.XXX	±0.10	X.XXX'	±1'		
DESIGN:	鄭紅光	08/07'06	FILE:	DRAW NAME:	
CHECK:	李清亮	08/07'06	P/N: CCHDMI-0050-1931	HDMI SMT TYPE TAPE REEL CUSTOMER DRAWING	
APPROVED:	鄭家茂	08/07'06	UNIT: mm	SCALE: N/A	MODEL:
			REV: A	SHEET:	HDMI SMT CONNECTOR