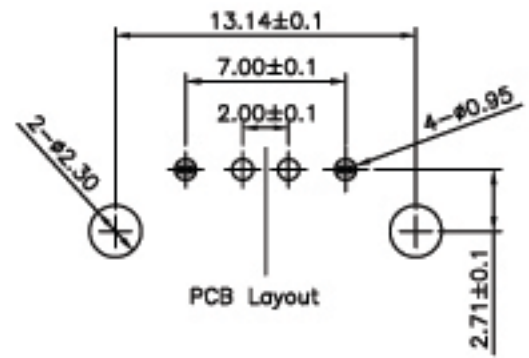
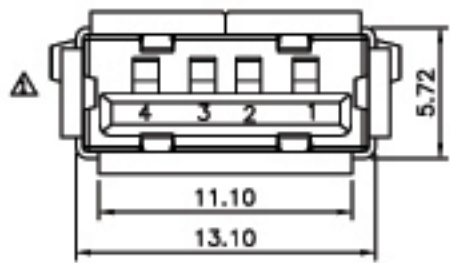
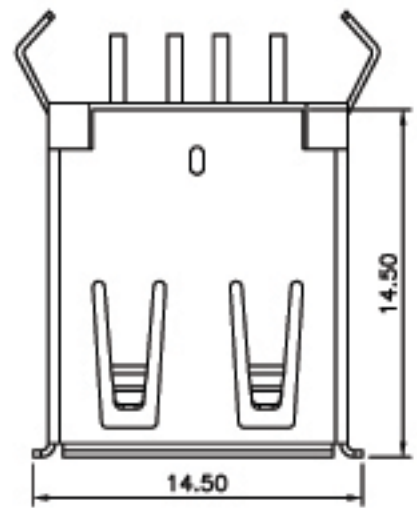
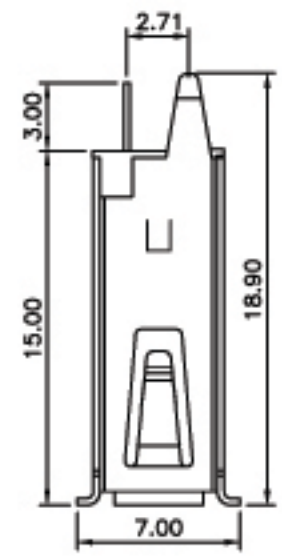
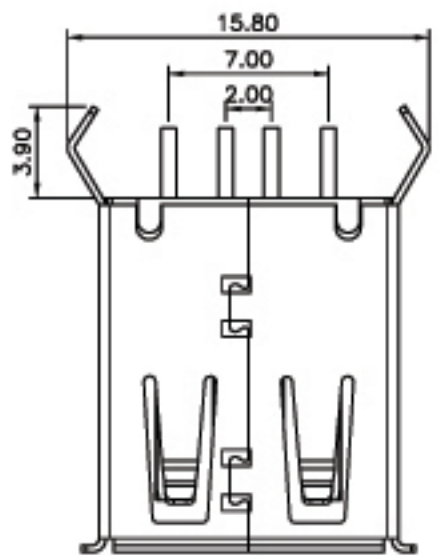


**SPECIFICATION**  
 Current:1.5A Max.  
 Voltage:30V Max.  
 Withstanding Voltage:500V AC  
 Contact Resistance:30 Milliohms Max.  
 Insulation Resistance:1000 Megaohms Min.  
 Temperature Range:-55°C~+85°C  
 Mating Force:35N Max.  
 Withdrawal Force:10N Min.  
 Durability:1500 Cycles Min.  
 Contact:Brass

Gold Plated And Tin Plated Over Nickel  
 ⚠ Insulator:PBT+30%G.F UL94V-0,White  
 Shell:Brass,Nickel Plated Over All  
 RoHS Compliant

⚠ USB 1X04 SD - SXX - H  
 (1) (2) (3) (4) (5)

- (1)USB:USB Series
- (2)1X04:A Type 4Pins
- (3)SD:Female DIP Straight
- (4)SXX:Contact Finish  
 Blank:Selective Gold Flash  
 S30:Selective Gold Plated 30u"
- (5)H:RoHS Compliant



**CYPRESS INDUSTRIES**  
 www.cypressindustries.com

USB A Type, Receptacle R/A DIP  
 Stack W/O Rear Shell  
 RoHS compliant

CATEGORY		APPROVED BY	MEI	UNLESS OTHERWISE SPECIFIED TOLERANCES ARE .X ±0.38 .X' ±2" .XX ±0.25 .XX' ±1" .XXX ±0.13 .XXX' ±0.5"
PART No. CCUSBA - 32001 - 30X		CHECKED BY	HZF	
DRAWING No. CCUSBA - 32001 - 30X		DRAWING BY	HYY	
SCALE	NONE	REV.	A2	

NO. REV.	REVISIONS	CHK	DATE
A2	Modify P/N/USB 1X04SD-H → USB 1X04SD-SXX-H	HZF	08/05/2009
A1	Add Pin Number&Color	HZF	03/23/2009
A0	NEW RELEASE	HZF	06/18/2008